









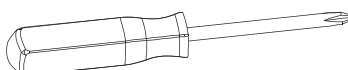


PARTS LIST

Please check parts against the list below before assembling your BBQ grill

fittings supplied							
Ref.	Description	Illustration	Qty	Ref.	Description	Illustration	Qty
A	M6x16MM		2 pcs	F	M6x60MM		4 pcs
B	M5x10MM		11 pcs	H	M6 nut		8 pcs
C	M5x20MM		12 pcs	I	M5 nut		23 pcs
D	M6x20MM		10 pcs	J	M8 nut		2 pcs
E	M6x30MM		4 pcs	K	Washer		2 pcs

TOOLS REQUIRED (not included)

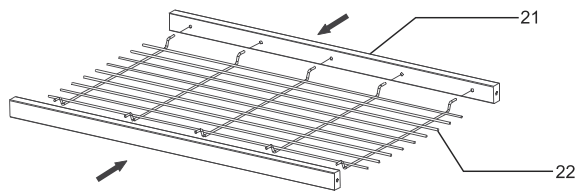


No.	Description	Qty.	No.	Description	Qty.
1	Handle	2	14	Short	1
2	Lid	1	15	Long	1
3	Air vent	4	16	Receiver	1
4	Vent	1	17	Ash	1
5	Wooden handle	1	18	Bakelite	1
6	Fire	1	19	Axle	1
7	Cooking	1	20	Wheel	2
8	Charcoal	1	21	Metal	2
9	Warming	1	22	Wire	1
10	Side	3	23	Grid	2
11	Right Side table support	1	24	Right front table support	1
12	Front	3	25	Left side table support	1
13	Left front table support	1	26	Thermometer	1

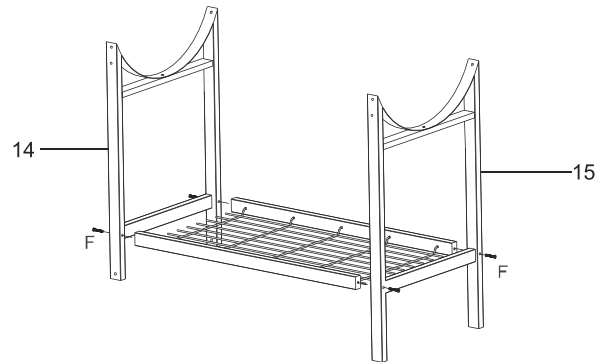
ASSEMBLY STEPS

Do not tie the screws too tight before completely assembly your barbecue

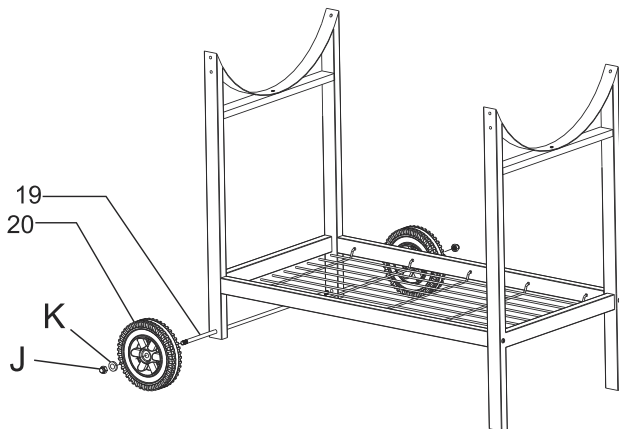
1



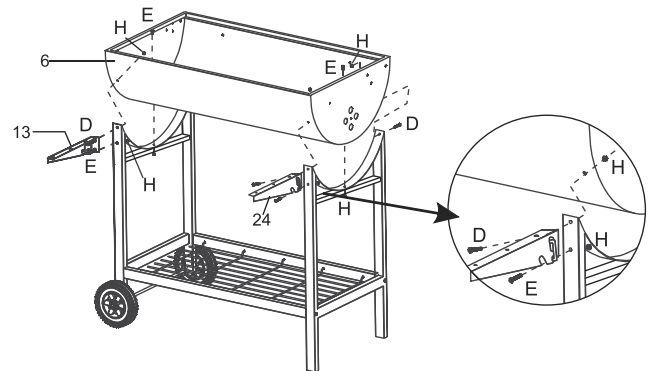
2



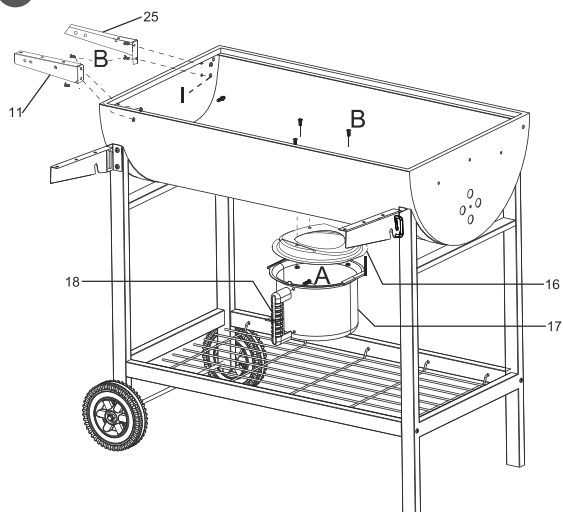
3



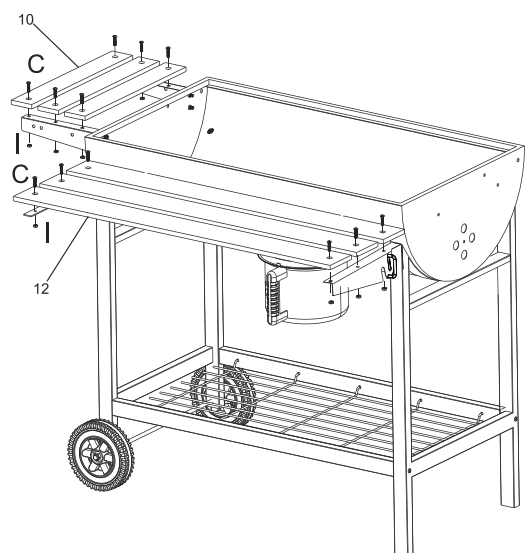
4



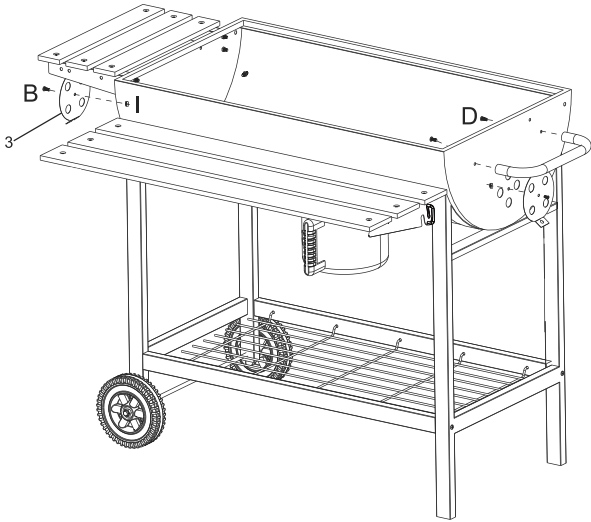
5



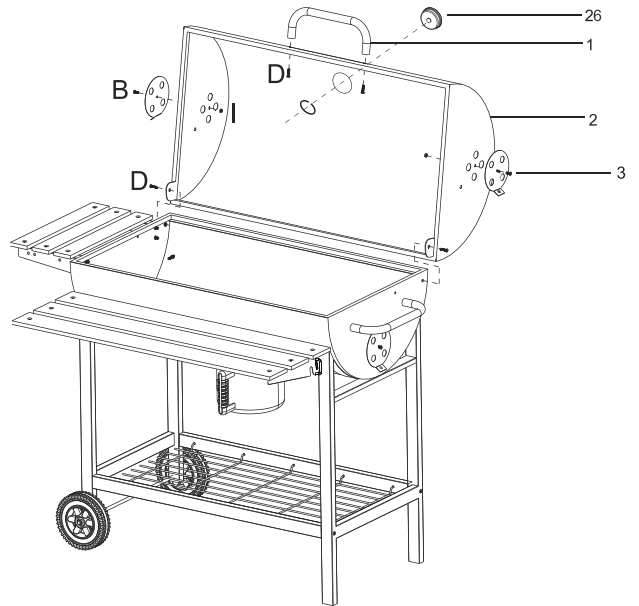
6



7



8



9

