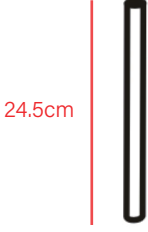

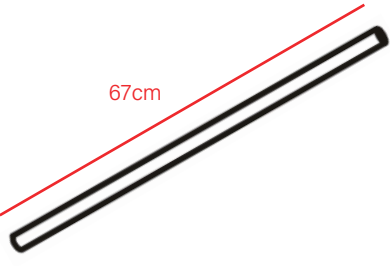
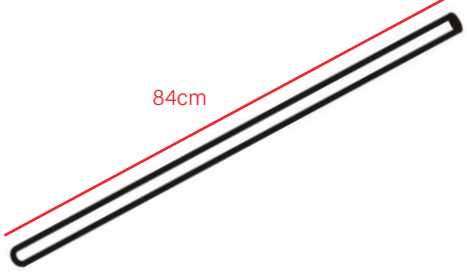
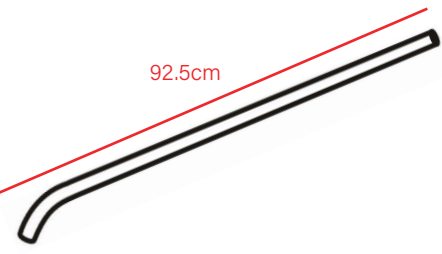
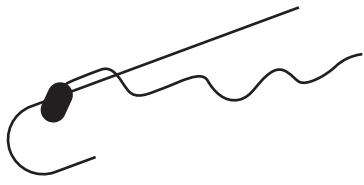
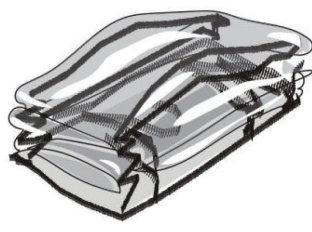
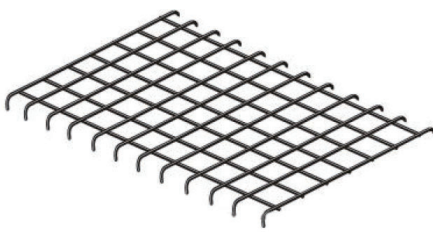





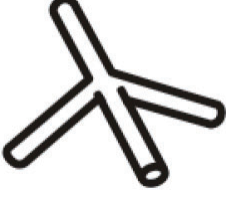



Assembly Instruction

Greenhouse

SKUNO.60375834

ITEM NO.GTA1020

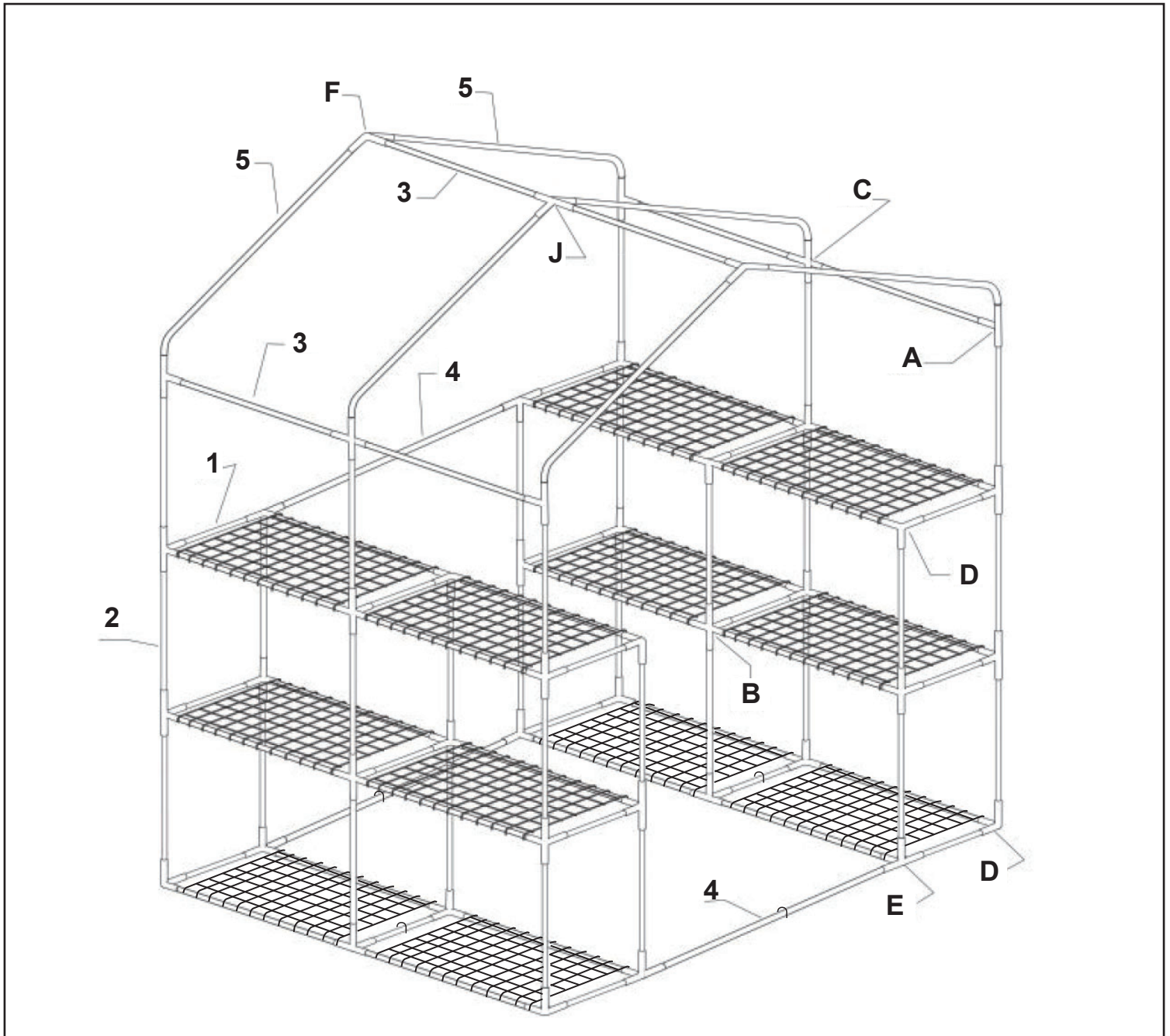
 <p>1 18 PCS</p>	 <p>2 30 PCS</p>	 <p>3 30 PCS</p>
 <p>4 3 PCS</p>	 <p>5 6 PCS</p>	 <p>6 4 PCS</p>
 <p>7 1 PC</p>	 <p>8 12 PCS</p>	 <p>A 4 PCS</p>
 <p>B 6 PCS</p>	 <p>C 2 PCS</p>	 <p>D 6 PCS</p>
 <p>E 24PCS</p>	 <p>F 1PC</p>	 <p>J 2 PCS</p>

Assembly Instruction

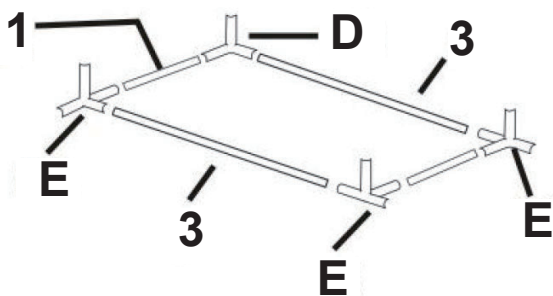
Greenhouse

SKUNO.60375834

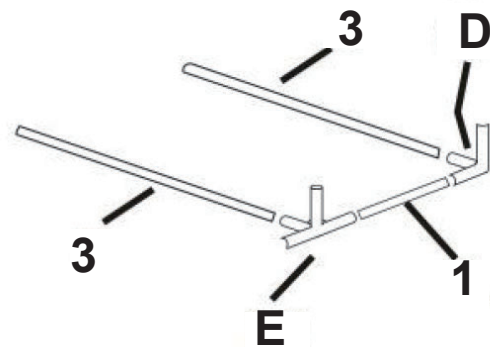
ITEM NO.GTA1020



①



②

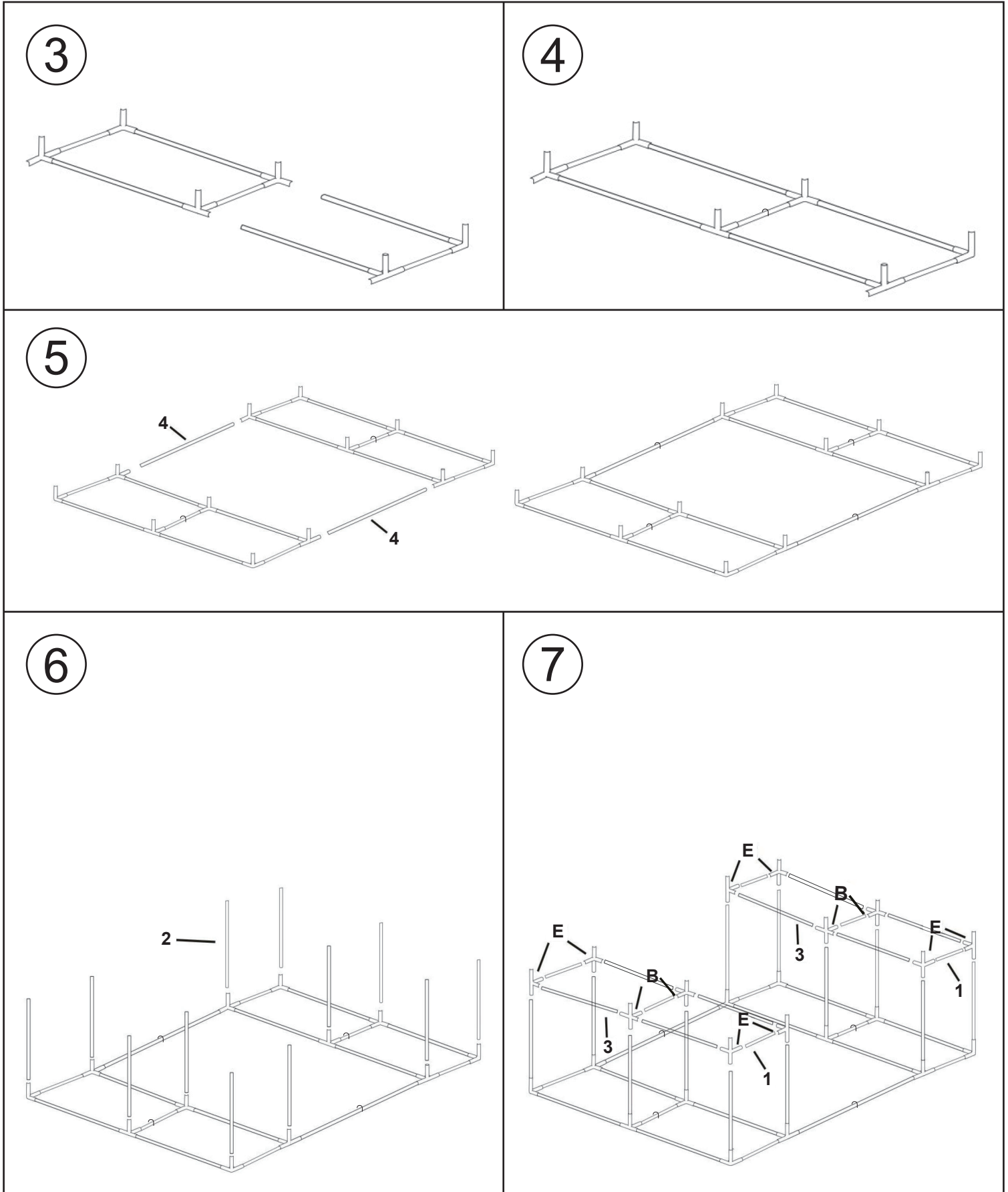


Assembly Instruction

Greenhouse

SKUNO.60375834

ITEM NO.GTA1020

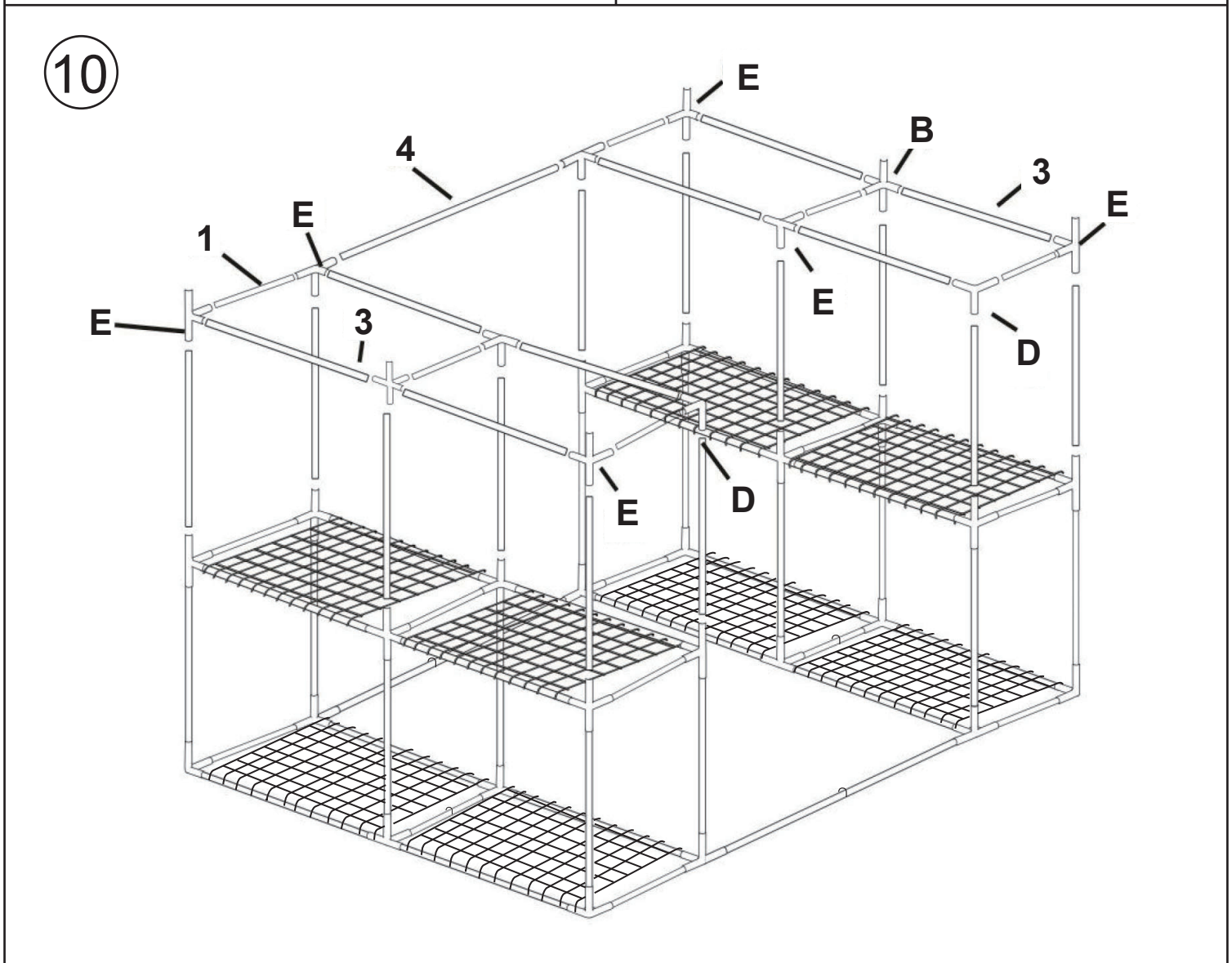
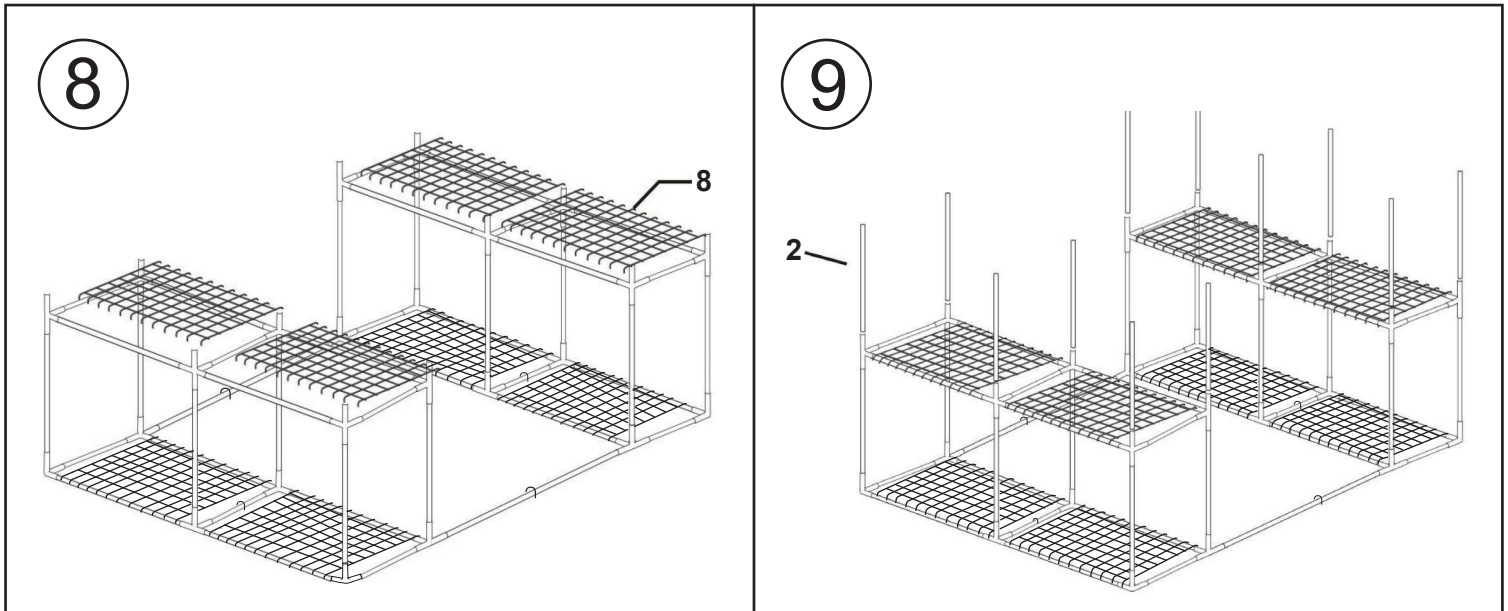


Assembly Instruction

Greenhouse

SKUNO.60375834

ITEM NO.GTA1020

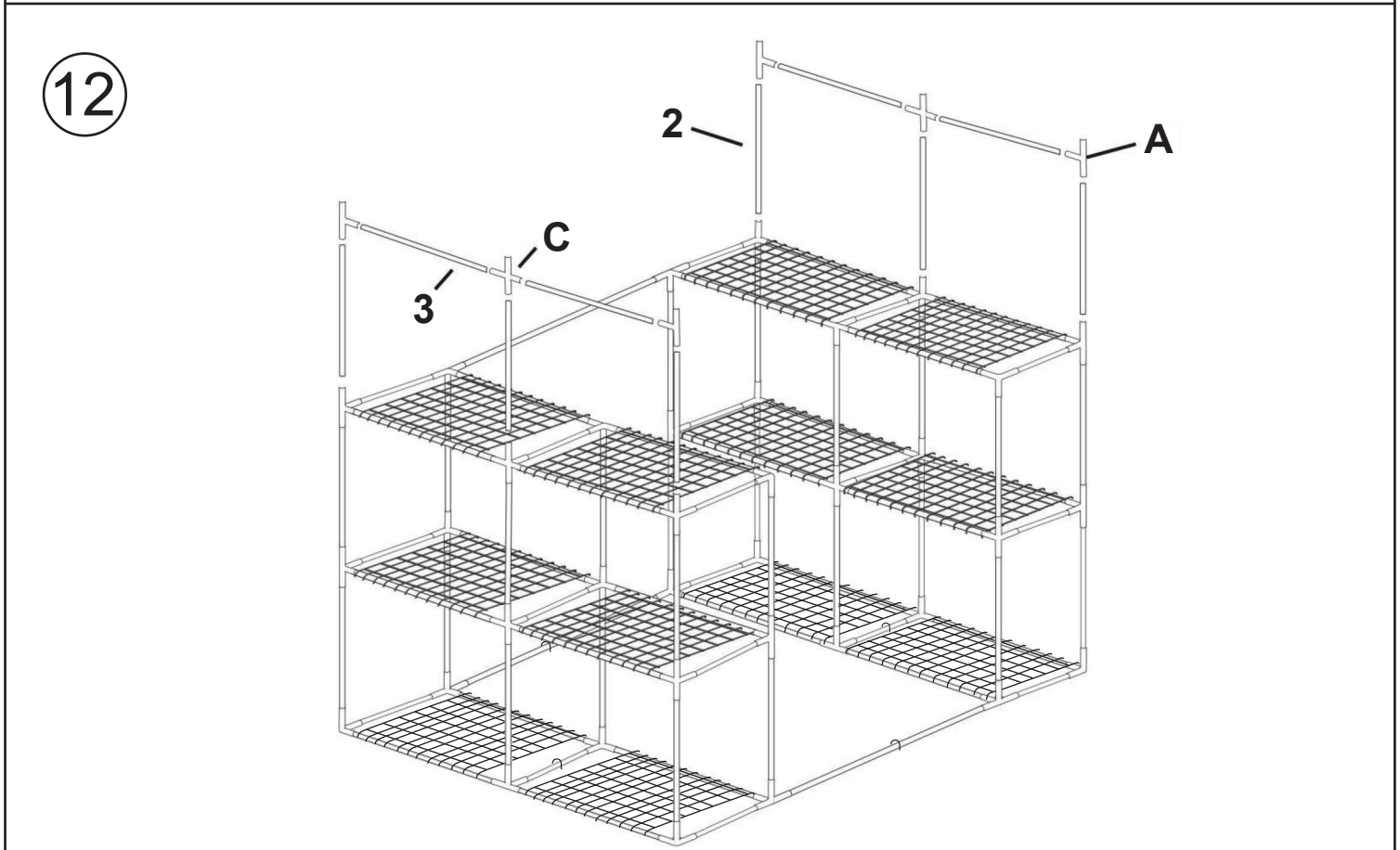
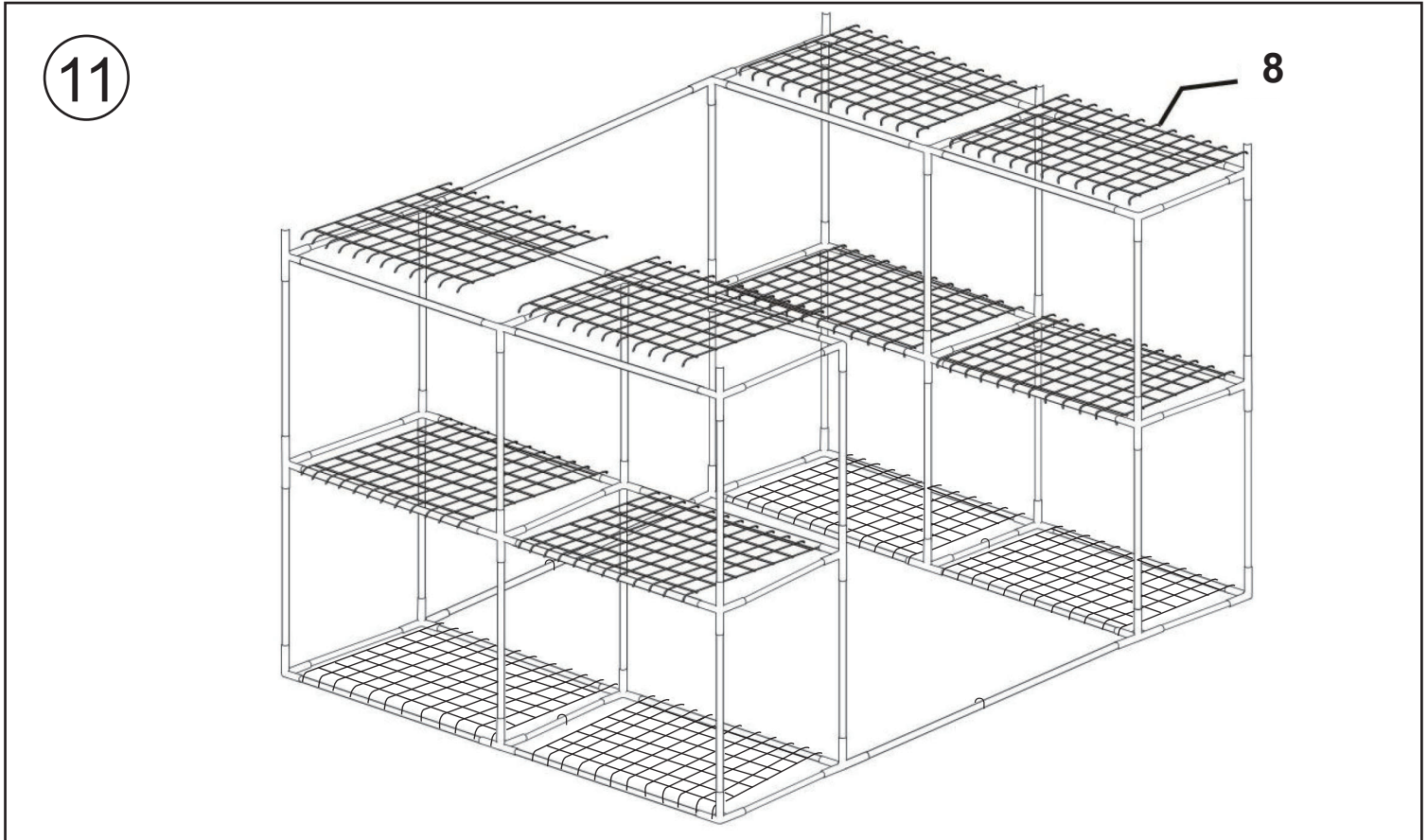


Assembly Instruction

Greenhouse

SKUNO.60375834

ITEM NO.GTA1020



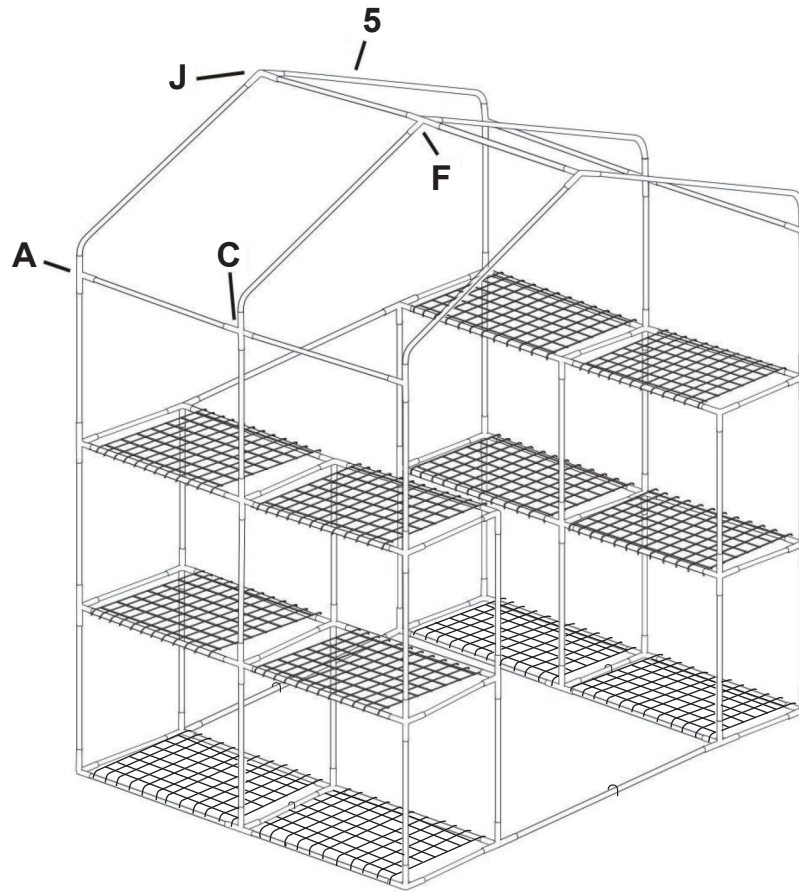
Assembly Instruction

Greenhouse

SKUNO.60375834

ITEM NO.GTA1020

13



14

