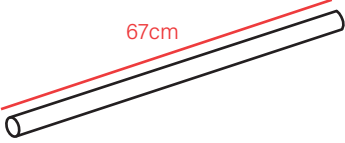
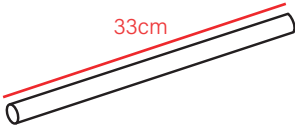
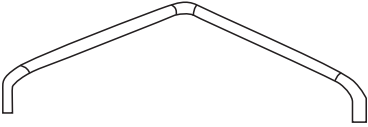
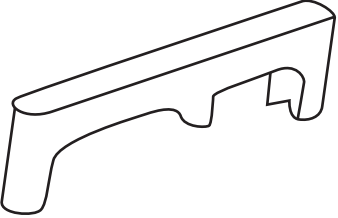
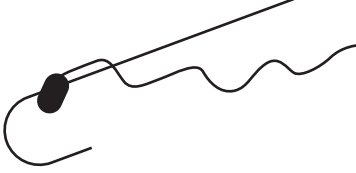
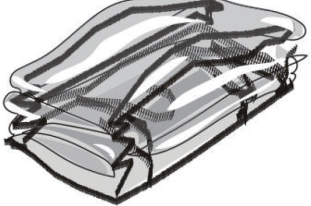
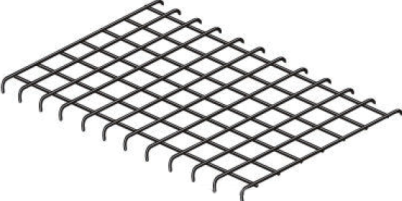
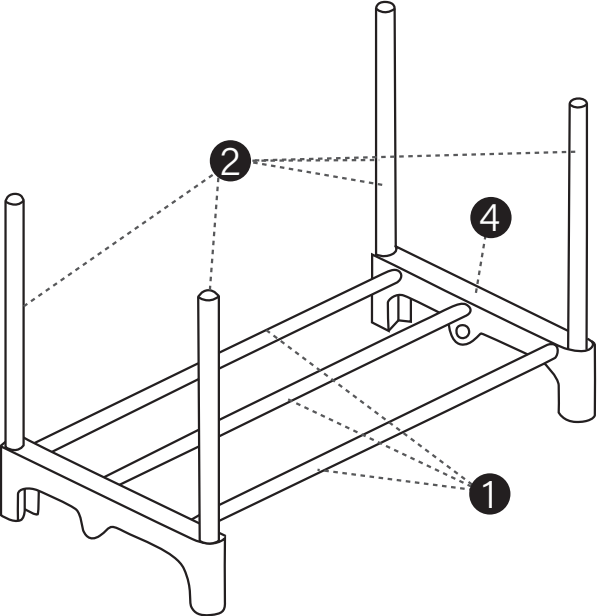
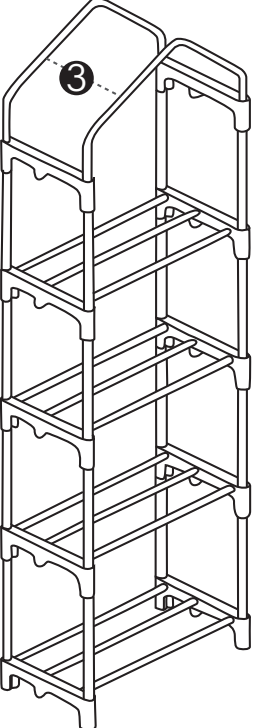


Assembly Instruction

Greenhouse

SKUNO.60375833

ITEM NO.GTA1019

 <p>1 12 PCS</p>	 <p>2 16 PCS</p>	 <p>3 2 PCS</p>
 <p>4 10 PCS</p>	 <p>5 4 PCS</p>	 <p>6 1 PC</p>
 <p>7 4 PCS</p>		
<p>1</p> 		<p>2</p> 

Assembly Instruction

Greenhouse

SKUNO.60375833

ITEM NO.GTA1019

