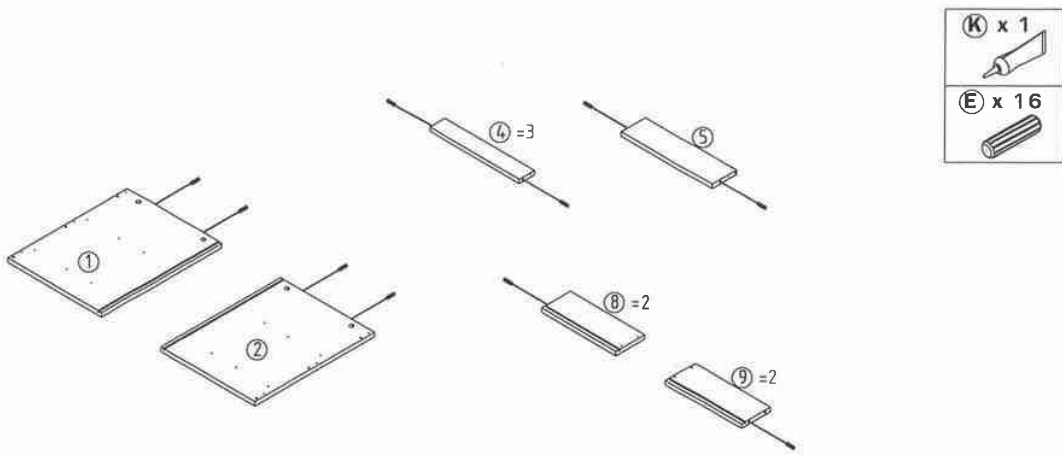


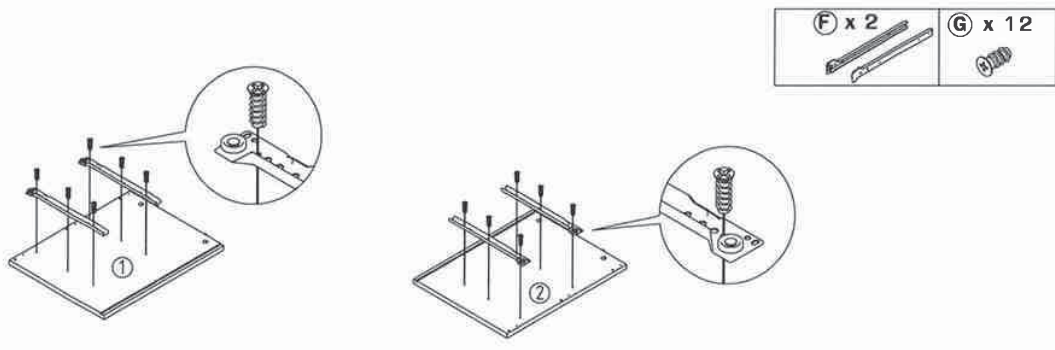


A x 16 	B x 16 	C x 8 	D x 8 	E x 16 	
F x 2 	G x 12 	H x 12 	I x 4 	J x 4 	
K x 1 					

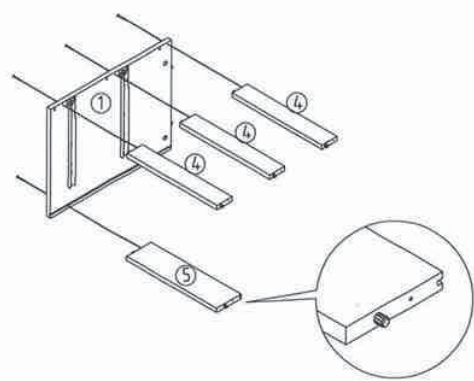
STEP 1



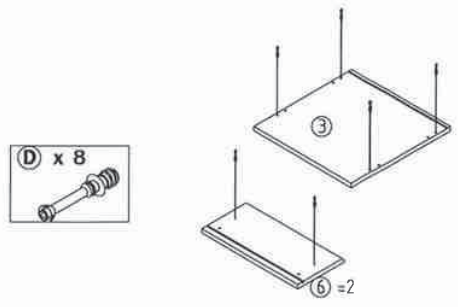
STEP 2



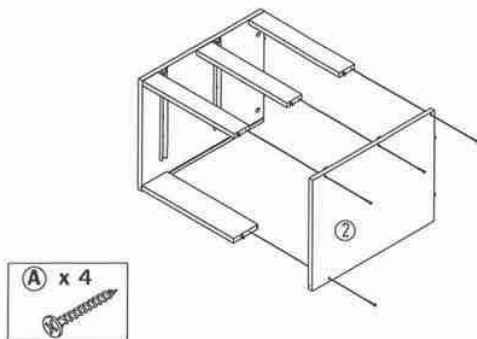
STEP 3



STEP 4



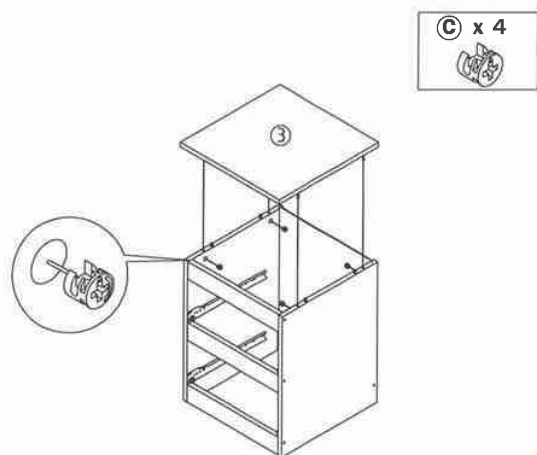
STEP 5



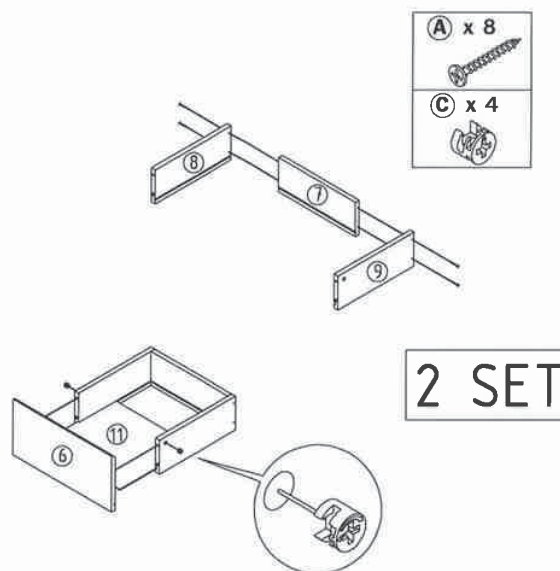
STEP 6



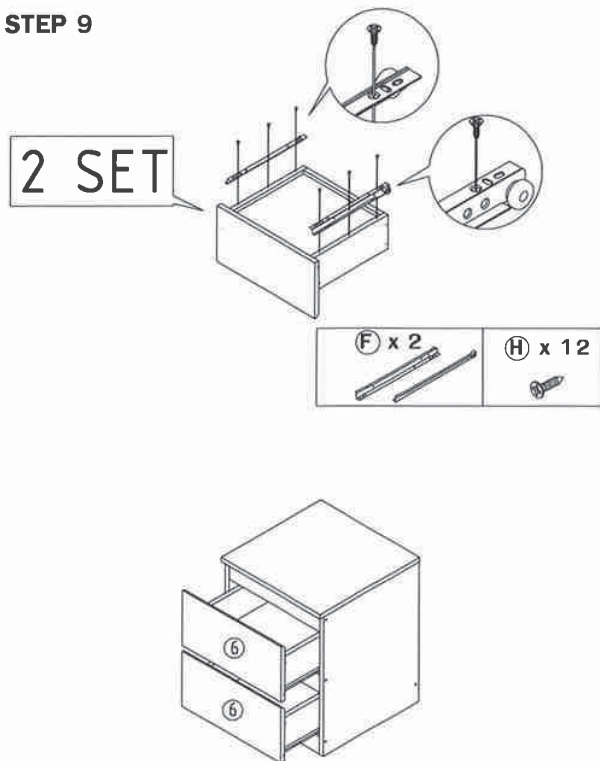
STEP 7



STEP 8



STEP 9



STEP 10

