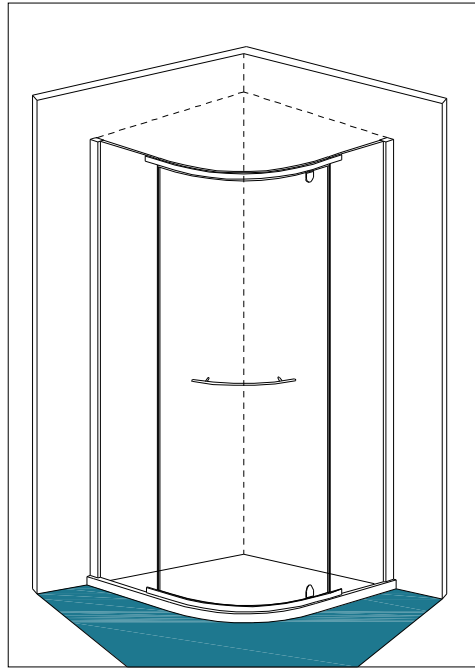
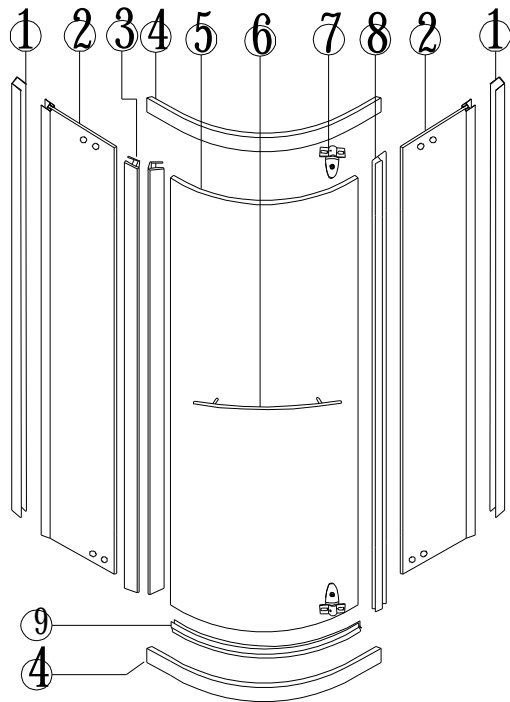


# Kassa

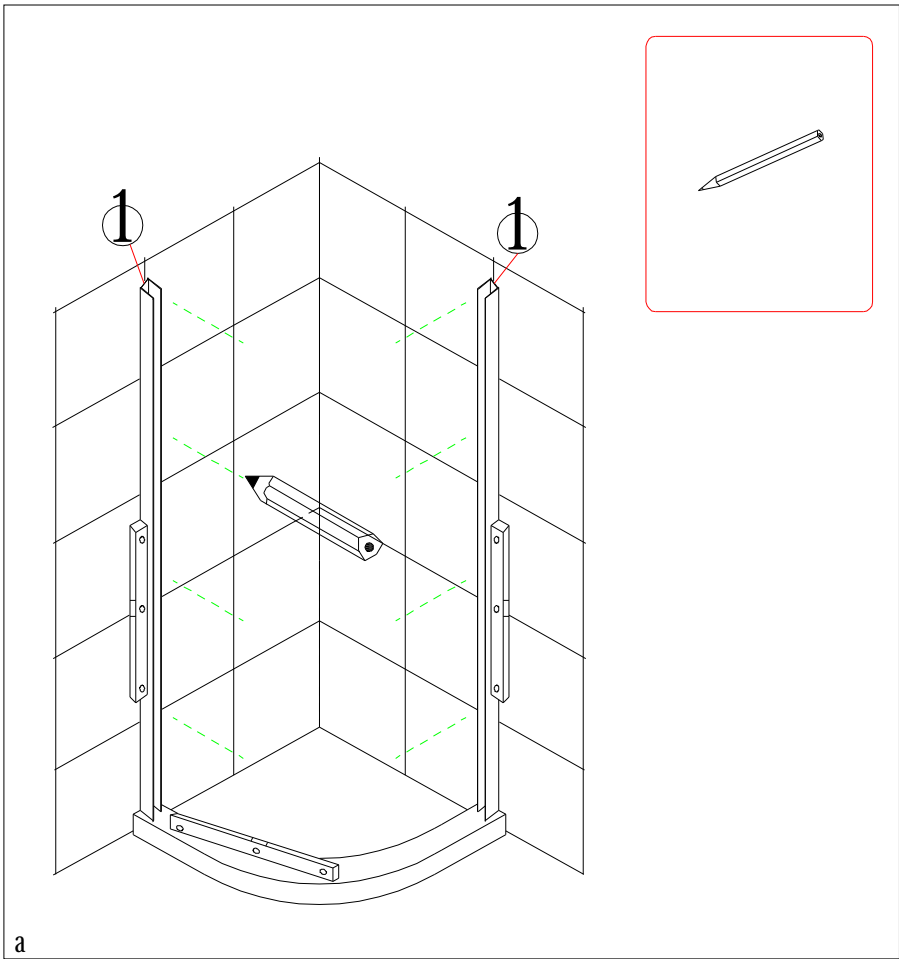
## TWD 05



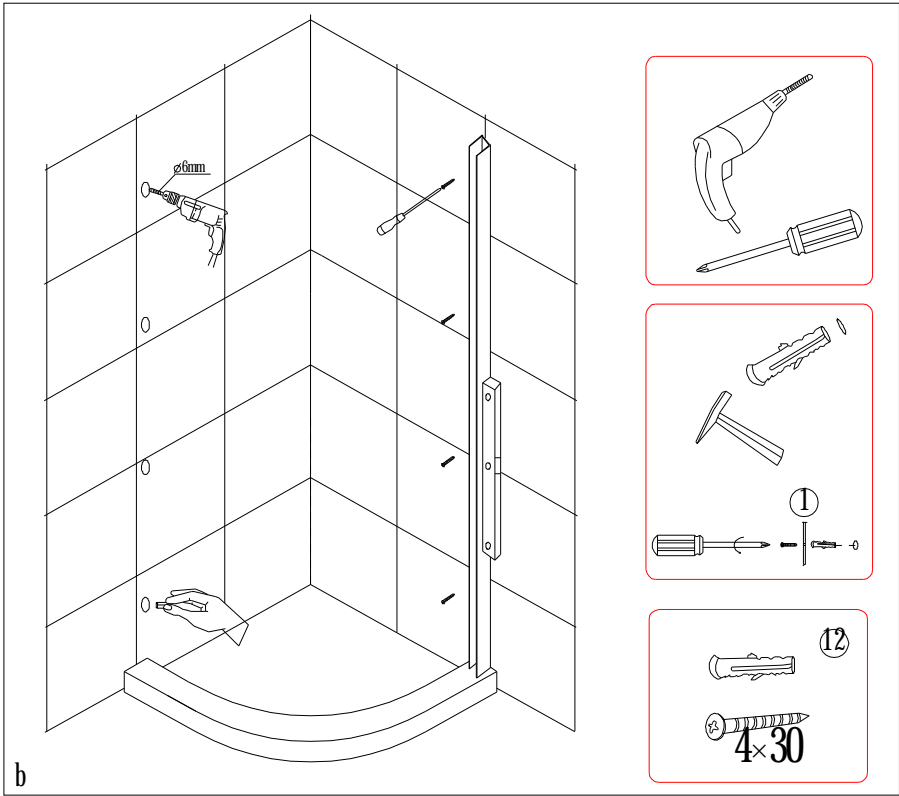
Item		Quant
10		6 Pc
11		12 Pc
12		6 Pc
13		6 Pc
14		1 Pc
15		4 Pc



Part list



a



b

