

Operation Manual

--**Massage Bathtub Series**
(ON/OFF Air Switch Control Way)

CONTENT

Safety notes-----	1
Instructions before installing-----	2
Installation instructions -----	4
Check up and operate-----	6
Operation instructions-----	7
Maintenance -----	10

SAFETY NOTES

For your safety, please read these notes carefully before installation or using

CAUTION:

In case of accidents, please keep the children away from using the massage bathtub without adult's care.

SUGGESTION:

All the installations of power, hot and cold water supply must be done by Qualified technician.

When you install the bathtub, please ensure the protective grounding has been done, the intake of the power must be connected to a leakage protection switch, and you have to verify the operating of this leakage circuit breaker is in order.

Ensure no overload the rated power when you finish all the connecting of the equipments.

The motor can not be started up unless the water level of the bathtub is 50mm higher than the highest nozzle. We won't take the responsibility in this case: if the bathtub runs without water result in damage of the leakage gasket of water pump and motor which has no cooling water.

We have installed the overheat protection unit inside the motor, if the motor is overheat, it will shut down automatically, after the motor cooling down, it will turn on again automatically.

The material of the massage bathtub is exclusive acrylic bathtub material, the temperature of the water inside the bathtub should not be higher than 90°C.

If it is used for an old age people, a sliding-proof rubber is suggested to put on the bottom of the bathtub in case of the unexpected sliding.

The hypertensive and the person who gets drunk enjoying the high-temperature-bath is harmful for health.

Instructions before installing

When you get this bathtub, please read the instructions which are written on the carton, and check the safety notes carefully after unpacking.

Verify if the product code which marked on the carton is accordance with the product code of the massage bathtub, and if the accessories of the bathtub are accordance with the instructions of the manual. Otherwise, please don't use this bathtub and contact agent as soon as possible.

Name	Material	Qty	Remark
Bathtub, apron	Acrylic material, compound reinforced and temperature-resistant glass fibre, stainless steel support.	1 set	The apron had been coated to the bathtub before packing.
Massage pump	Special massage pump	1 set	Installed on the support of the bathtub, it has passed the test.
Massage nozzle	Stainless steel surface, with adjustable direction function.	4-10 pcs	Installed in the bathtub, it has passed the test
Cold/hot water intake, transferable valve, waterfall faucet, flexible pipe.	All made of copper, ceramic valve core, galvanized holder and decorative cap.	1 pc each	Installed at the edge of the bathtub, (it has passed the test), the only thing you should do is to connect the cold and hot water Pipe.
Air switch regulating switch	The surface of knobs are copper chromized..	1 pc each	It has passed the test.(the bathtub with controller has no air switch)
Hand shower		1 pc	Please connect it before
Drainage	Copper, with stainless steel arrester and flexible pipe.	1 pc	Installed on the bottom of the bathtub, (it has passed the test)

Main Technical Indices

Rated voltage: AC 220V

Frequency :50Hz

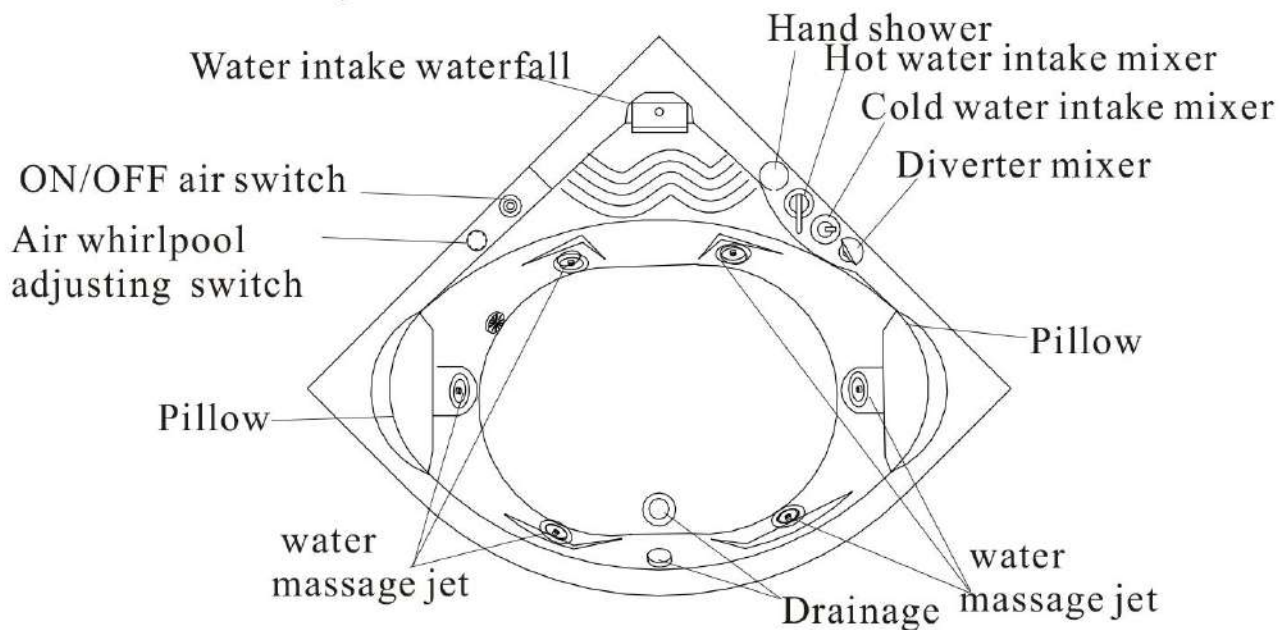
Intensity of pressure: 1250V/min, Do not puncture.

Waterproofclass: IPX5

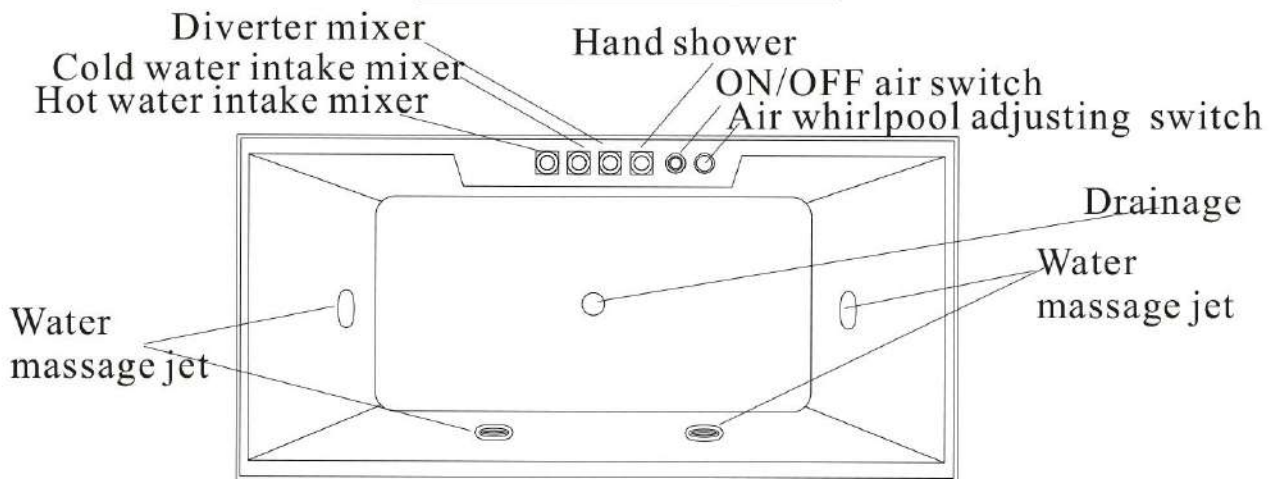
Defend electric shock: I

Water pump: AC220V/1 Pc

Power control way: ON/OFF Air switch



MODEL:RONDA 20260

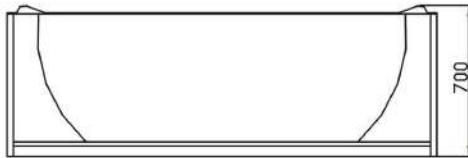
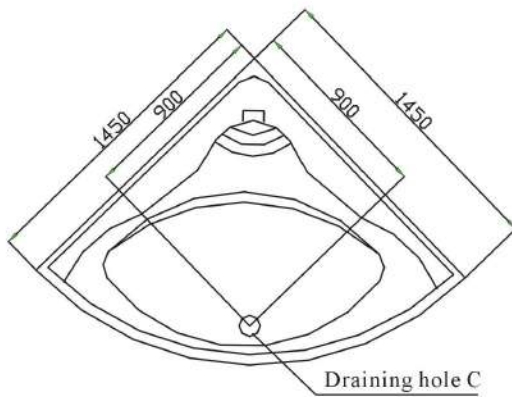


MODEL:SQUART 20264

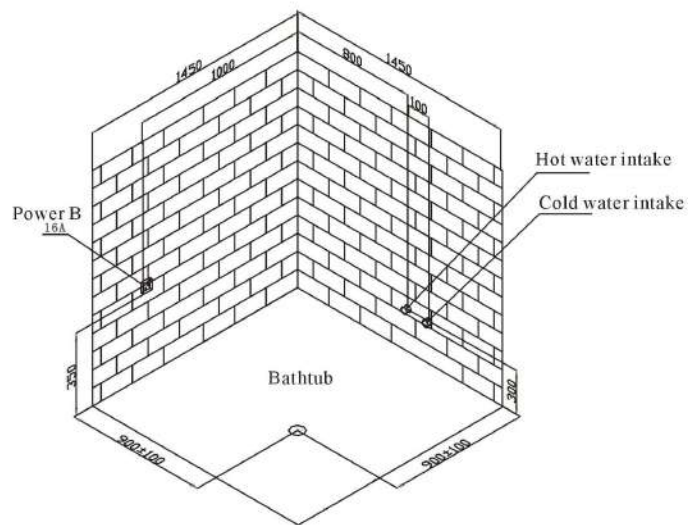
Massage bathtub configuration illustration

Water supply and power supply installation figure

MODEL: RONDA 20260
SIZE: 1450×1450×700 mm



Dimension

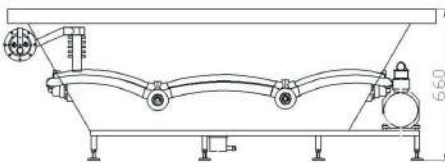
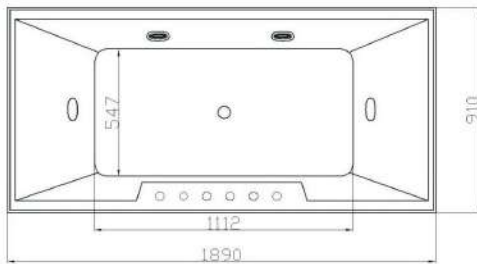


Installation Instructions

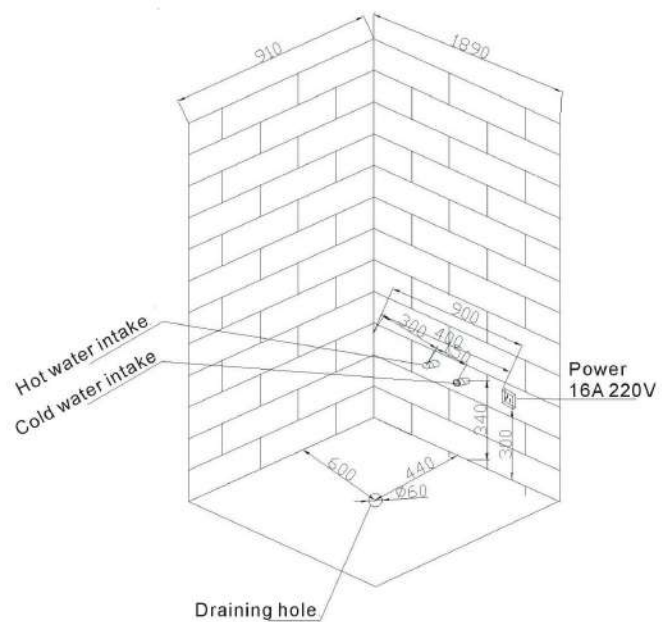
1. Water supply: The connection for cold and hot water intake is DN15 galvanized water pipe for each one. The height is 300 mm from ground.
2. Power supply: 220V/50HZ, single-phase three cores system. The capacity of load should be more than 16A, the height is 350mm from ground.
3. Drainage: The drainage hole can be located within a radius of 300mm from the mark C (but do not set it in the centre).

Water supply and power supply installation figure

MODEL : SQUART 20264
SIZE : 1890 X 910 X 660 mm.



Dimension

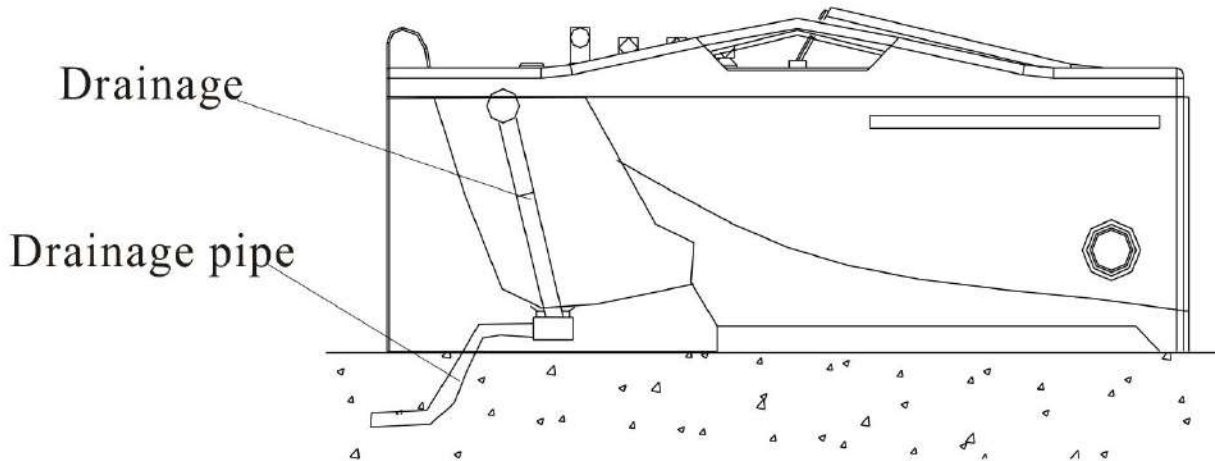


Installation Instructions

1. Water supply: The connection for cold and hot water intake is DN15 galvanized water pipe for each one. The height is 300 mm from ground.
2. Power supply: 220V/50HZ, single-phase three cores system. The capacity of load should be more than 16A, the height is 350mm from ground.
3. Drainage: The drainage hole can be located within a radius of 300mm from the mark C (but do not set it in the centre).

Installation of drainage

A stainless steel tight wire drainage is equipped with inside the bathtub, it is not only easy to operate, but also really durable. Before you install the bathtub, you can arrange the drainage position, if it is not suitable, you can connect with flexible pipe so that will make your bathroom more nice and comfortable.



Position of draining pipe

Installation of power supply

For there should be much moisture in the surrounding, so we advise you to preset the position of the power socket before installing the bathtub, but the power supply controller and the leakage circuit breaker must be installed in the safe circumstance (e.g. out of the bathroom), if you want to change the power cable, please use the three-core 4mm² wire and the operation must be done by the qualified technician. You should ensure the grounding has been finished. We won't take the responsibility for any damage or accident if the installation was not complied with the above-mentioned instructions.

Start and stop the massage bathtub

Press the air switch to turn on the power and start the massage bathtub, then the water pump will be on. Press it again to turn off the power and the water pump will be off.

Check up and operate

Remark: all our products have been passed the severe test before packing, but for the reason of your safety, please make a necessary recheck before using.

For the reason of installation and transportation, maybe one or some screws did not tighten, and this will make some parts uncompacted. Therefore, please recheck every connected bolts, nuts whether they are fastened, recheck every adjustable valve whether they are fixed, and recheck the connection of apron and the bathtub whether they are connected well.

Checking the power

Before using the bathtub, please recheck and verify the current leakage protection switch works in order, it is very important point for the using of the bathtub as well as the safety of the user.

Checking the intake of water

If you are sure that everything is in the right position, you can switch on the hot and cold water supply equipment to ensure there is no leakage at the connection of the water pipe and then turn the cold-hot water control knob and the transferable knob of the faucet for checking. When the water level is 55mm higher the highest nozzle, shut down the intake valve to check if there is any leakage at the connection. Fix it again if it is necessary.

Checking the drainage

Turn the drainage knob, use the arrester wire to pull up the drainer cap for draining the water, (the drainer outlet can be connected with a pipe). After the draining, turn the knob in the anti direction, the drainer cap will close automatically.

After checking, remove the bathtub to the presetting position, seal all the connecting gaps between the walls and the bathtub with silicon sealant in case of creepage, this is helpful for the cleaning of your bathroom.

Operation instructions

Caution:

In case of the accidents, keep the children away from using the product alone.

Notes:

This product is used for bath a shower and massage, but it can't be used as a reservoir or a basin for washing.

You should know:

1. The water level must be at least 50mm higher than the highest nozzle when you use the massage bathtub, the water pump is forbidden to run when there is no water in the bathtub, although the mechanical components can be run without water, but that is inappropriate the water pump in unnecessary condition, further more, it will damage the sealing and the pump. We won't take any responsibility for the bad result caused by inappropriate operation.
2. The overheat protection unit is inside the massage pump, if the local voltage is too low or the water pump is overheat, the overheat protection unit will work automatically to prevent the water pump from damaging
3. Please cut off the power supply when the bathtub is out of using.

The operation instructions for standard massage bathtub.

After finishing the above tests, you can press the air switch button and start the massage pump ,adjust the direction of big water massage jet slowly and then you can get the most comfortable massage effect by altering the jetting flow power and the jetting angle. Press the air switch button again, then the waterpower massage pump will stop.

INSTALLATION INSTRUCTIONS

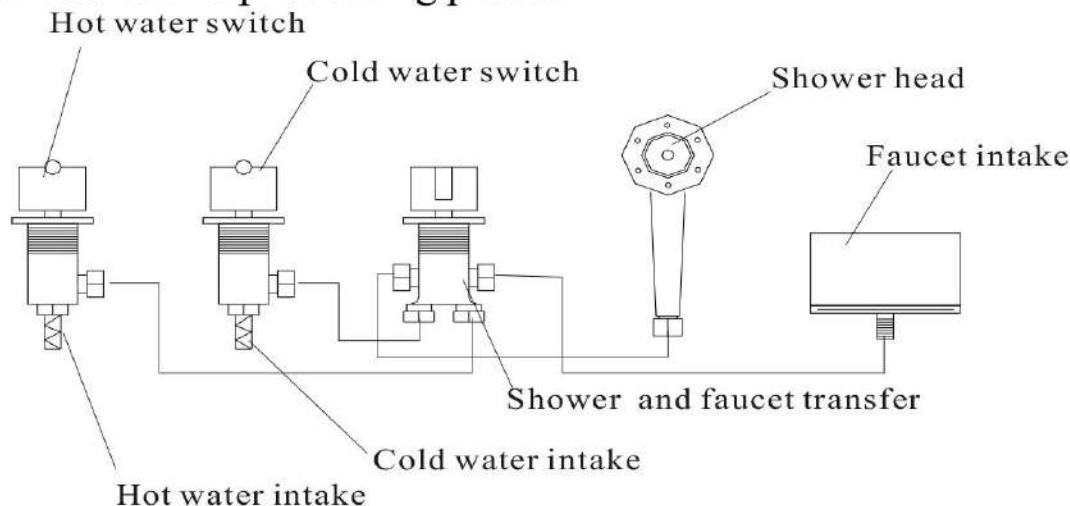
Installation of the massage bathtub

1. Place the bathtub to your bathroom, bathtub has been fixed on the steel support, you can adjust the level of the bathtub by screw the regulating the bolts .
2. Move away the bathtub, please. Then you should make sure the two pipes which connects between bathtub and wall must be clean and without any sand, to avoid the sands damaging the valve of bathtub. The easy way you should do is let the water flush these two pipes before connecting them to bathtub.
3. Insert the outlet pipe to the draining hole of the ground, plug in your bathtub. And then, place the bathtub to the original location. Lastly, you could enjoy a bath yourself.

After you fasten the regulating bolts, please remove the bathtub to a spacious place to install the apron.(Some apron had been installed before packing)

Installation of water intake

There is an cold-hot adjustable valve in the bathtub, the only thing you should do is that couple the cold and hot water pipe to the corresponding control valve. Test with water after finishing the installation. Confirm there is no leakage, then you can remove the bathtub to the presetting place.



Water intake illustration

Common Problems

Warning: Please check after cutting off power.

Problems	Reasons	Remedy
Dose not operate	<ol style="list-style-type: none"> 1.Cable broken. 2.Air switch does not work 3.Overheat protective unit started.. 4.Water pump is blocked. 5.Fuse broken. 6.Wrong connection. 	<p>Check the cable and current leakage protection switch. Check the connection of pipes. Restart after motor cooling down. Take out the block. Check the fuse. Check wire circuit, make a right connection.</p>
Water pump does not run effectively.	<ol style="list-style-type: none"> 1.Connector is not fastened. 2.Bad installation of water pump. 3.Leakage from the unfastened. 	<p>Fasten the connector.</p> <p>Adjust the level of water pump, the horizontal position of water pump should not higher than the lowest nozzle.</p> <p>Clean the system, check the components, change a new one, if damage, then fasten it again.</p>
Massage power is not enough	<ol style="list-style-type: none"> 1.The knob does not adjust well. 2.Water intake is blocked. 3.Adjusting knob does not work. 	<p>Adjust the pressure knob. Clean the garbage. Check if the knob is damaged.</p>
Too noisy	<ol style="list-style-type: none"> 1.Bathtub is not leveled. 2.Vibration. 3.Some scraps are inside the water pump. 	<p>Check if there are gaps between the feet of the bathtub and the floor.</p> <p>Check if water pump is loosened or the others are loosened.</p>
Motor is overheated	<ol style="list-style-type: none"> 1.Wrong voltage cable. 2.Cable cannot meet the standard. 3.Voltage is too low. 	<p>Check the cabling. Change the cable. Install a voltage stabilizer.</p>
Drainage blocked	<ol style="list-style-type: none"> 1.Garbage blocks the pipe. 2.Drainage pipe is squeezed. 	<p>Clean the garbage. Regulate the drainage pipe.</p>

Check above points before requesting for repairs or service.
 And please contact our agent or our company.

Note:

- *** The grounding network must be effective and comply with the national regulation. The building grid must also comply with the national regulations, and be protected with a 16A fuse.** Wiring the socket of the leakage protection plug with correct N and L (N-neutral, L-phase). The socket must have the proper contact, and be away from the water outlet or nozzle as far as possible.
 - * All power units, water intake and delivery units must be handled by the relevant qualified technicians.
 - * Make sure the reliable grounding and effective leakage protection during installation, and guarantee that it will not exceed the supply rated load when the equipment is connected.
 - * The power supply in the massage bathtub should use unmovable connection but the switch and the socket should be double-on-off type(N line and L Line can be switched on and off together), don't use the same power supply socket for the other household appliances. The power cable should be a three-core with plastic sheath, each core should be no less than 2.5mm^2 (that means the cable is $3 \times 2.5\text{mm}^2$), when the cable goes through the wall, you should use a cable pipe for safety. The socket must be the qualified products of 10A. 15A is essential while there is an extra heater)

Maintenance

The apron of the bathtub is easy disassemble because of maintenance. The pump of this product is made by a special technique, thus, it can work without lubrication, the mechanical shaft of the water pump is lubricated by the water automatically.

Please avoid to touch the hard or sharp things when using, if some scratch or abrasion on the surface, grind with 1200 # or 1500 # water-sandy paper, polish with toothpaste and soft cloth after grinding, after that, the surface can be restored as a new one.

Please use the soft wet cloth or sponge with neutral detergent when you clean the bathtub, don't use strong acetic or soda etc. Corrosive chemical solution to clean in case that they will vanish the surface of the bathtub.

The galvanized part of the bathtub should not contact to the metal, don't sweep with rough cloth in case of the scratch.

The protective cover of the water intake can't be taken off when using, to protect any damage caused by the impurities. For keep the flow freely, please clean the garbage in the trap timely.

If you have any questions or maintenance requirement, please contact our agency.